

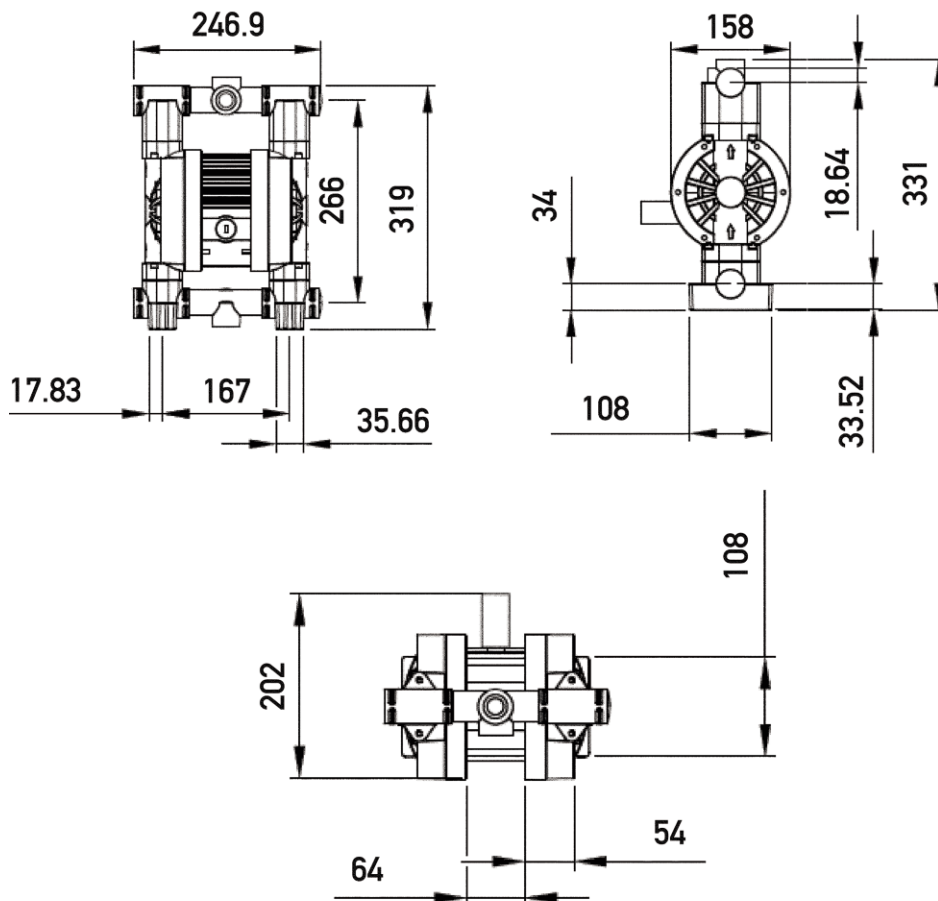
Ruby 015 PP 1/2"

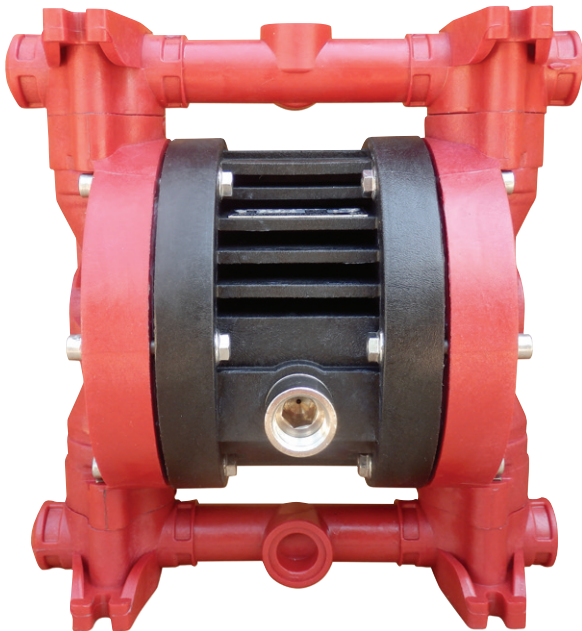
Technical data

ATEX Certification	II 2 GD c IIB T4
Pump Body	PP, PP+CF
Liquid inlet	1/2" BSPG F
Liquid Discharge	1/2" BSPG F
Air Inlet	1/2" BSPG F
Max self priming capacity	3 m
Max flow rate	58 L/min
Max. Air supply pressure	8 bar
Max. Head	80 m
Max. Diameter solids	3 mm
Max. Operating temperature	60°C
Weight	4 Kg

Diaphragms

- PTFE+back up(EPDM) Conductive new technology (compound)
- VITON Conductive new technology





Ruby 115 PP 1/2"

Technical data

ATEX Certification	II 2 GD c IIB T4 (On request)
Pump Body	PP, PP+CF
Liquid inlet	1/2" BSPG F
Liquid Discharge	1/2" BSPG F
Air Inlet	1/2" BSPG F
Max self priming capacity	3 m
Max flow rate	58 L/min
Max. Air supply pressure	8 bar
Max. Head	80 m
Max. Diameter solids	3 mm
Max. Operating temperature	60°C
Weight	4 Kg

Diaphragms

- PTFE+back up(EPDM) Conductive new technology (compound)
- VITON Conductive new technology

Dimensions Ruby

